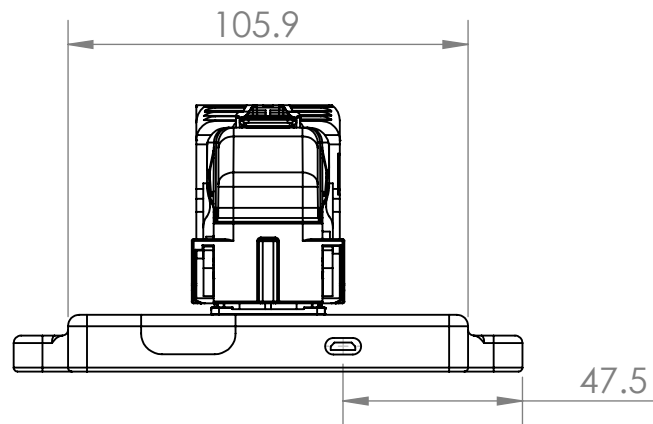
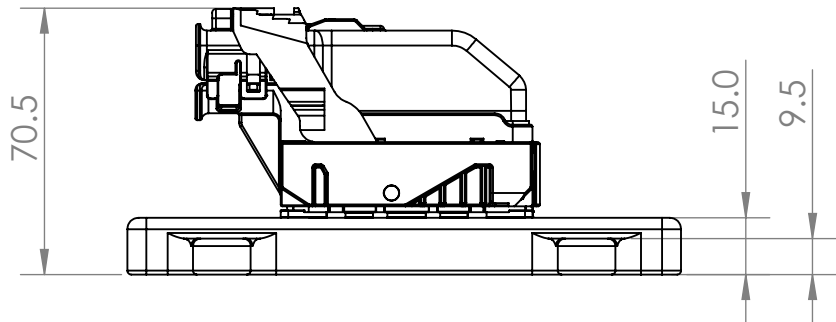
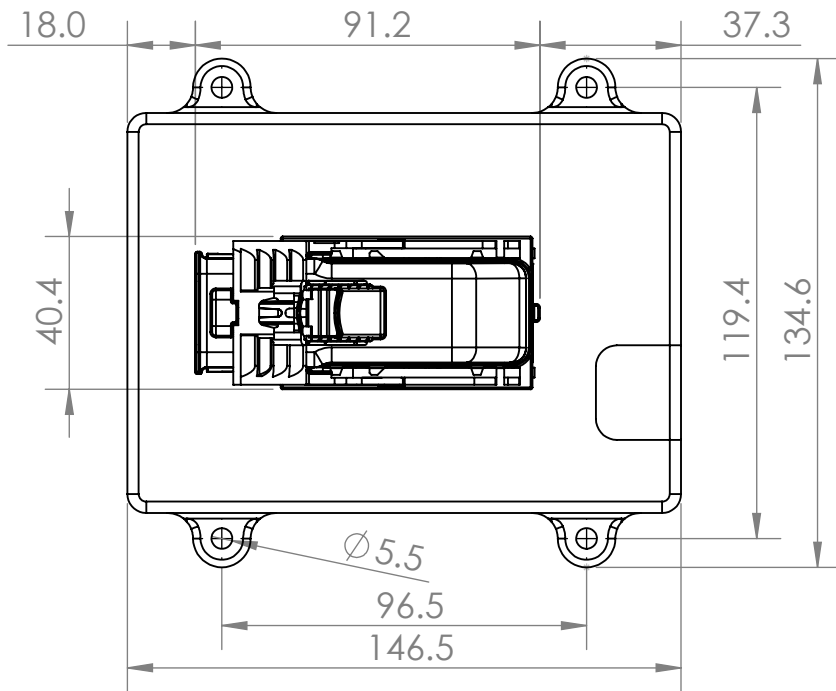


B



B

A

A

		UNLESS OTHERWISE SPECIFIED:		NAME	DATE
		DIMENSIONS ARE IN MM		DRAWN	D. BRUNNER
				CHECKED	
				ENG APPR.	
				MFG APPR.	
				Q.A.	
				COMMENTS:	
		INTERPRET GEOMETRIC TOLERANCING PER:			
		MATERIAL			
		FINISH			
NEXT ASSY	USED ON				
APPLICATION		DO NOT SCALE DRAWING			

HGM Automotive Electronics

TITLE: CS3 CASE ASSY CVM

SIZE	DWG. NO.	REV
<b>A</b>	CASE ASSY CVM	

SCALE: 1:2

SHEET 1 OF 1

**PROPRIETARY AND CONFIDENTIAL**  
 THE INFORMATION CONTAINED IN THIS DRAWING IS THE SOLE PROPERTY OF HGM AUTOMOTIVE ELECTRONICS. ANY REPRODUCTION IN PART OR AS A WHOLE WITHOUT THE WRITTEN PERMISSION OF HGM AUTOMOTIVE ELECTRONICS IS PROHIBITED.

2

1